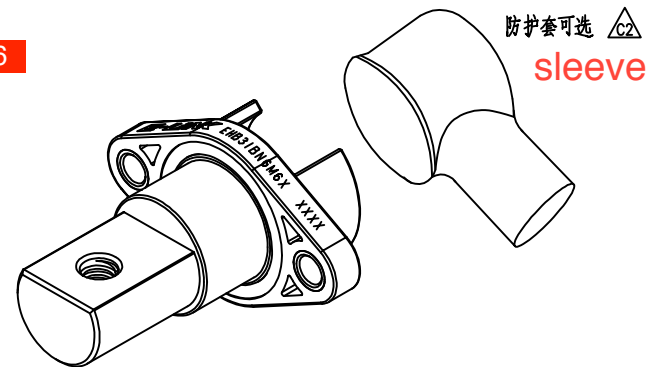
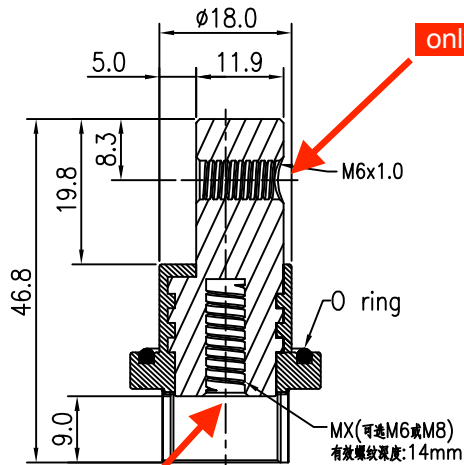
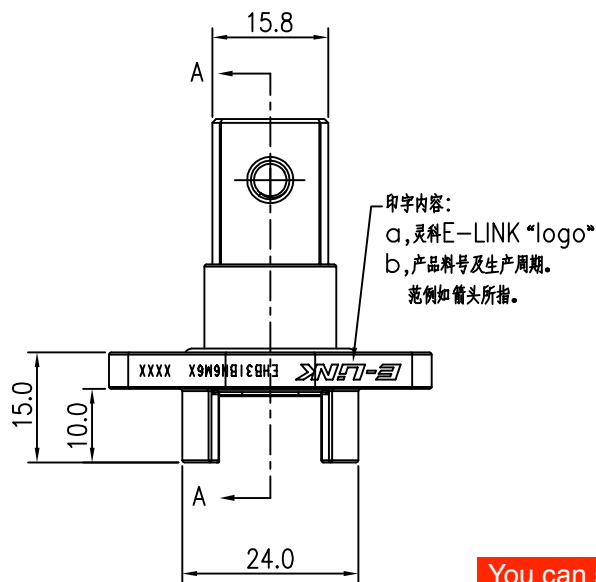
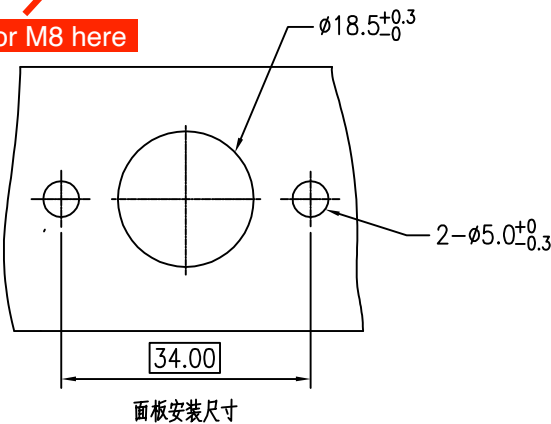
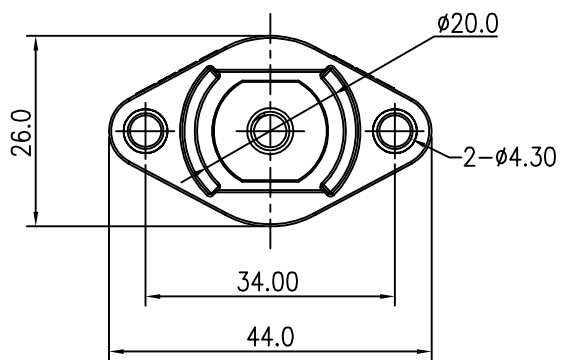


REV.	ECN NO.	DESCRIPTION	SIGE	DATE
C1	N/A	INITIAL DRAWING	Carter.Xia	2018/12/20
C2	N/A	1.增加“可选防护套” 2.变更额定电压	Carter.Xia	2019/05/16
C3	20190603001	变更可选颜色	Carter.Xia	2019/06/03



You can select M6 or M8 here



EHB31BN X M6 X -XX
6:M6
8:M8

a: 产品未印任何字符时此处为: "1N".
b: 带灵科 "Logo", 料号及生产周期时: 此处及前面 "-" 省略. (标准产品).

B: 黑色 black
A: 橙色 orange

技术要求:

1. 额定电流: 200A. **rated current**
2. 额定电压: 800V DC **rated voltage**
3. 耐压: 3000V AC 1Min 漏电流 5mA Max.
4. 绝缘电阻: 1000MΩ MIN (500V DC).
5. 工作温度: -40°C ~ +125°C.
6. 符合ROHS.

TOLERANCE	APPROVALS	DATE	JONVER™ www.jonver.cn			DESCRIPTION:
X. ±0.50 X.X ±0.30 X.XX ±0.15 X.XXX ±0.05	DRAWN BY Carter.Xia CHECKED BY 伍文兴 APPROVED BY	2018/12/20 2019/7/02	UNIT mm SCALE 1:1	SIZE A4 SHEET 1 OF 1	TYPE C-	EHB 90度穿墙式接线柱
ANGLES ±1°	UNLESS OTHERWISE SPECIFIED ■ : Inspection Item					PART NO. EHB31BNXM6X-XX